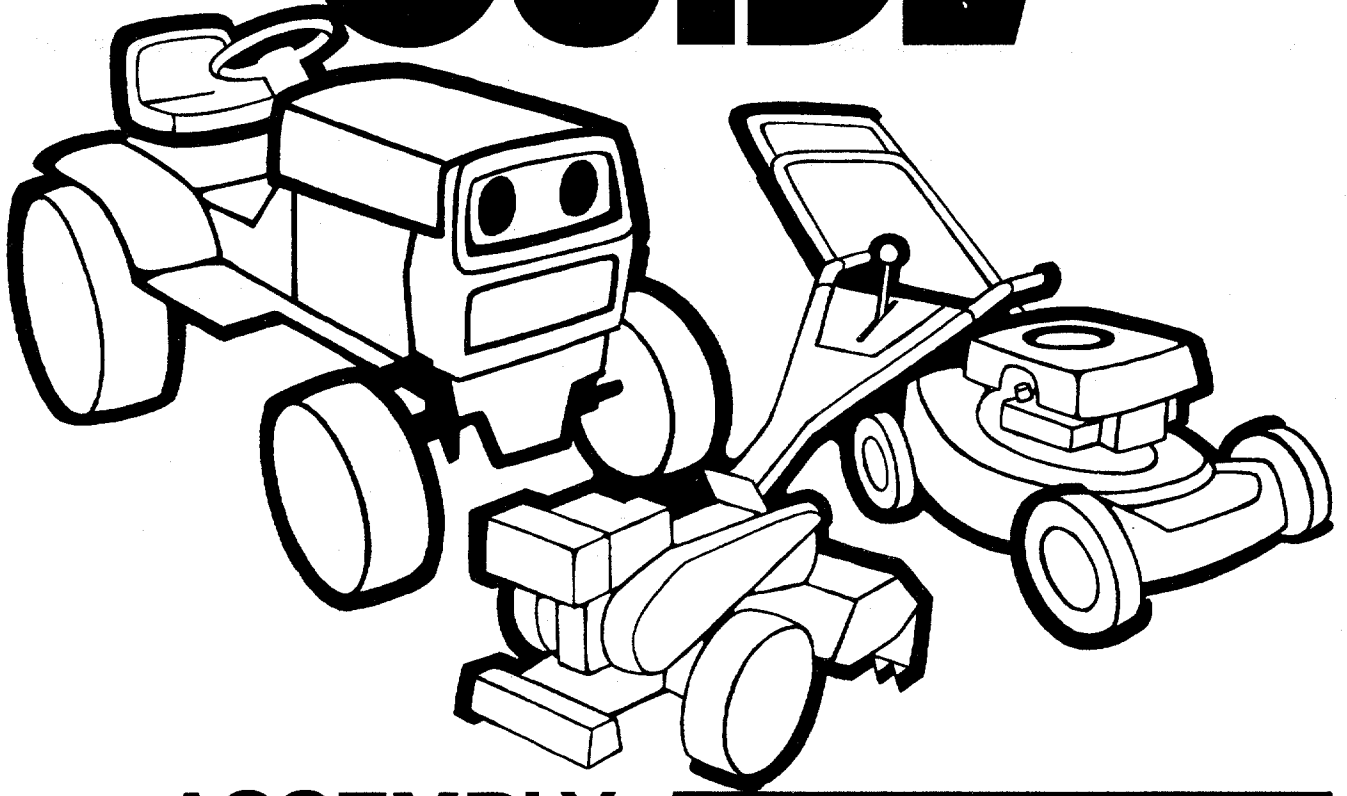


OWNER'S GUIDE



**ASSEMBLY
OPERATION
MAINTENANCE
PARTS LIST**

**IMPORTANT:
Read Safety Rules
and Instructions**

MODEL NUMBER

110-530A

22"

**HI-WHEEL
ROTARY
MOWER**

INDEX

| | | | |
|-------------------------------|---|------------------------------|------------|
| Safe Operation Practices..... | 3 | Using Your Rotary Mower..... | 9 |
| Assembly Instructions..... | 4 | Off-Season Storage..... | 9 |
| Operation Instructions..... | 5 | Exploded Parts View..... | 14, 16, 18 |
| Adjustments..... | 6 | Repair Parts List..... | 15, 17, 19 |
| Lubrication..... | 7 | Parts Information..... | Back Cover |
| Maintenance..... | 8 | | |

LIMITED WARRANTY

For one year from the date of original retail purchase, MTD PRODUCTS INC will either repair or replace, at its option, free of charge, F.O.B. factory or authorized service firm, any part or parts found to be defective in material or workmanship. Transportation charges for any parts submitted for replacement under this warranty must be paid by the purchaser unless such return is requested by MTD PRODUCTS INC.

This warranty will not apply to any part which has become inoperative due to misuse, excessive use, accident, neglect, improper maintenance, alterations, or unless the unit has been operated and maintained in accordance with the instructions furnished. This warranty does not apply to the engine, motor, battery, battery charger or component parts thereof. Please refer to the applicable manufacturer's warranty on these items.

This warranty will not apply where the unit has been used commercially.

Warranty service is available through your local authorized service dealer or distributor. If you do not know the dealer or distributor in your area, please write to the Customer Service Department of MTD.

The return of a complete unit will not be accepted by the factory unless prior written permission has been extended by MTD.

This warranty gives you specific legal rights. You may also have other rights which vary from state to state.

WARNING TO PURCHASERS OF INTERNAL COMBUSTION ENGINE EQUIPPED MACHINERY OR DEVICES IN THE STATE OF CALIFORNIA

The equipment which you have just purchased does not have a spark arrester. If this equipment is used on any forest covered land, brush covered land, or grass covered unimproved land in the State of California, before using on such land, the California law requires that a spark arrester be provided. In addition, spark arrester is required by law to be in effective working order. The spark arrester must be attached to the exhaust system and comply with Section 4442 of the California Public Resources Code.

IMPORTANT

It is suggested that this manual be read in its entirety before attempting to assemble or operate. Keep this manual in a safe place for future reference and for ordering replacement parts.

This unit is shipped WITHOUT GASOLINE or OIL. After assembly, see operating section of this manual for proper fuel and amount.

Your rotary mower is a precision piece of power equipment, not a plaything. Therefore exercise extreme caution at all times.

SAFE OPERATION PRACTICES FOR WALK-BEHIND MOWERS

TRAINING

1. Read the Operating and Service Owner's Manual carefully. Be thoroughly familiar with the controls and the proper use of the equipment.
2. Never allow children to operate a power mower. Only persons well acquainted with these rules of safe operation should be allowed to use your mower.
3. Keep the area of operation clear of all persons, particularly small children and pets. Stop engine when they are in the vicinity of your mower. Although the area of operation should be completely cleared of foreign objects, a small object may have been overlooked and could be accidentally thrown by the mower in any direction.

PREPARATION

1. Thoroughly inspect the area where the equipment is to be used and remove all stones, sticks, wire, bones and other foreign objects which could be picked up and thrown by the mower in any direction.
2. Do not operate equipment when barefoot or wearing open sandals. Always wear substantial footwear.
3. Do not wear loose fitting clothing that could get caught on the mower.
4. Check the fuel before starting the engine. Do not fill the gasoline tank indoors, when the engine is running, or while the engine is still hot. Wipe off any spilled gasoline before starting the engine.
5. Disengage the self-propelled mechanism or drive clutch on units so equipped before starting the engine.
6. Never attempt to make a wheel or cutting height adjustment while the engine is running.
7. Mow only in daylight or in good artificial light.
8. Never operate the equipment in wet grass. Always be sure of your footing; keep a firm hold on the handle and walk, never run.

OPERATION

1. Do not change the engine governor settings or overspeed the engine. Excessive engine speeds are dangerous.
2. Do not put hands or feet near or under rotating parts. Keep clear of the discharge opening at all times.
3. Stop the blade(s) when crossing gravel drive, walks or roads.
4. After striking a foreign object, stop the engine, remove the wire from the spark plug,

thoroughly inspect the mower for any damage, and repair the damage before restarting and operating the mower.

5. If the equipment should start to vibrate abnormally, stop the engine and check immediately for the cause. Vibration is generally a warning of trouble.
6. Stop the engine whenever you leave the mower, before cleaning the mower housing, and when making any repairs or inspections.
7. When cleaning, repairing or inspecting, make certain the blade and all moving parts have stopped. Disconnect the spark plug wire, and keep the wire away from the plug to prevent accidental starting.
8. Before attempting to unclog the mower or discharge chute, stop the engine and be sure the blade(s) have stopped completely. Disconnect the spark plug wire and keep the wire away from the plug to prevent accidental starting.
9. Do not run the engine indoors.
10. Shut the engine off and wait until the blade comes to a complete stop before removing the grass catcher or unclogging chute.
11. Mow across the face of slopes, never up-and-down. Exercise extreme caution when changing direction on slopes. Do not mow excessively steep slopes.
12. Always disconnect electric mowers (line operated) before cleaning, repairing or adjusting.
13. Never operate mower without proper guards, plates or other safety protective devices in place.
14. Keep washout ports and other mower-housing service openings closed when mowing.

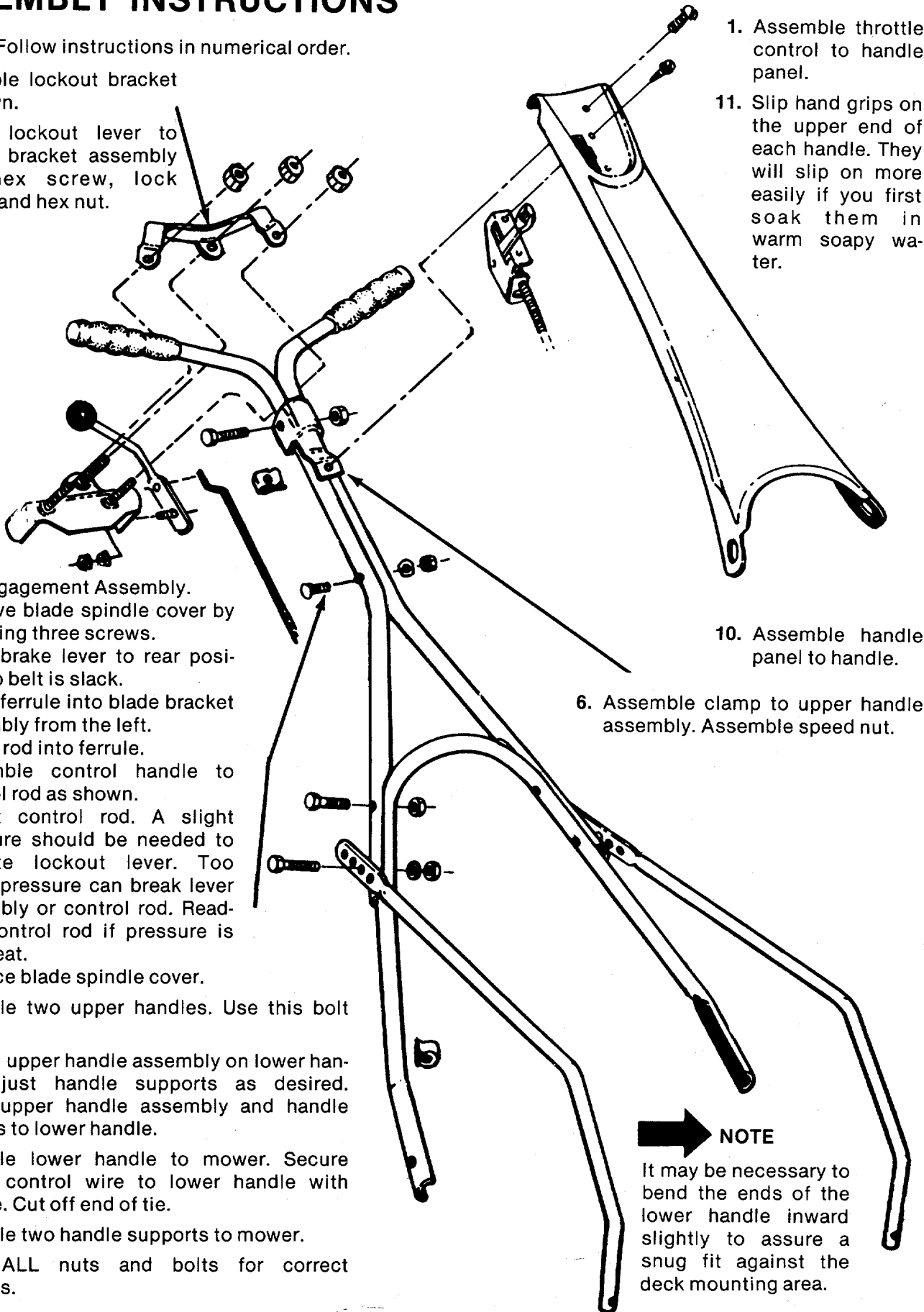
MAINTENANCE AND STORAGE

1. Check the blade and engine mounting bolts at frequent intervals for proper tightness.
2. Keep all nuts, bolts, and screws tight to be sure the equipment is in safe working condition.
3. Never store the equipment with gasoline in the tank inside of a building where fumes may reach an open flame or spark. Allow the engine to cool before storing in any enclosure.
4. To reduce fire hazard, keep the engine free of grass, leaves, or excessive grease.
5. Check the grass catcher bag frequently for wear or deterioration. For safety protection replace only with new bag meeting original equipment specifications.

ASSEMBLY INSTRUCTIONS

NOTE: Follow instructions in numerical order.

7. Assemble lockout bracket as shown.
8. Fasten lockout lever to lockout bracket assembly with hex screw, lock washer and hex nut.
9. Blade Engagement Assembly.
 - a. Remove blade spindle cover by removing three screws.
 - b. Move brake lever to rear position so belt is slack.
 - c. Insert ferrule into blade bracket assembly from the left.
 - d. Screw rod into ferrule.
 - e. Assemble control handle to control rod as shown.
 - f. Adjust control rod. A slight pressure should be needed to operate lockout lever. Too much pressure can break lever assembly or control rod. Readjust control rod if pressure is too great.
 - g. Replace blade spindle cover.
3. Assemble two upper handles. Use this bolt only.
5. Position upper handle assembly on lower handle. Adjust handle supports as desired. Fasten upper handle assembly and handle supports to lower handle.
2. Assemble lower handle to mower. Secure throttle control wire to lower handle with cable tie. Cut off end of tie.
4. Assemble two handle supports to mower.
12. Check ALL nuts and bolts for correct tightness.



1. Assemble throttle control to handle panel.
11. Slip hand grips on the upper end of each handle. They will slip on more easily if you first soak them in warm soapy water.

10. Assemble handle panel to handle.

6. Assemble clamp to upper handle assembly. Assemble speed nut.

NOTE

It may be necessary to bend the ends of the lower handle inward slightly to assure a snug fit against the deck mounting area.

 **CAUTION**

Please note that the chute deflector on your mower is in an upright position. It is held in that position by a shipping block. This block is used for shipping purposes only. It must be removed and discarded before your mower is put into operation. See figure 1.

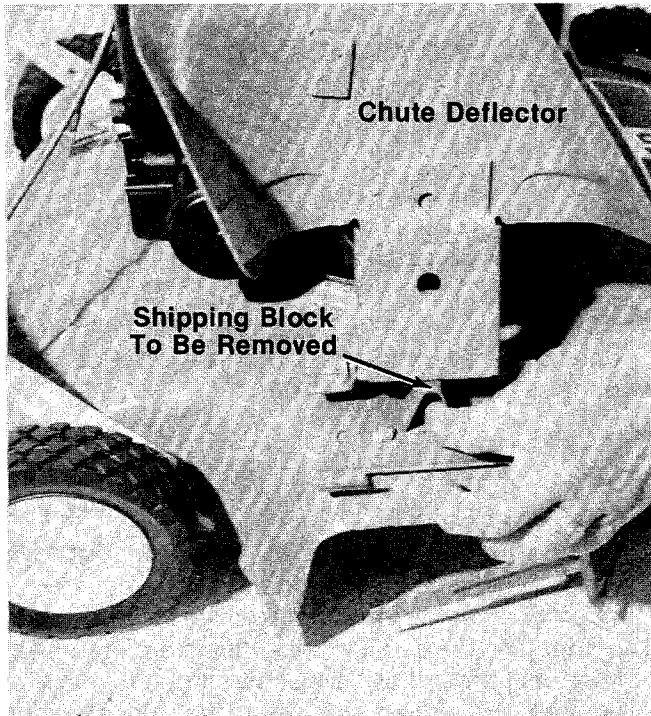


FIGURE 1.

OPERATION



CAUTION
DO NOT OPERATE MOWER UNLESS GUARD OR ENTIRE GRASS CATCHER IS IN ITS PROPER PLACE.



FIGURE 2.

Keep hands and feet away from the chute area on cutting deck. See figure 2.



For shipping purposes your mower is set with the wheels in a low cutting height position. For best results raise the cutting position until it is determined which height is best for your lawn. See adjustment section.

1. Before starting engine, check lubrication section.
2. Check lockout control handle for proper operation. If too great a pressure is needed to operate this control, damage can be done to the mechanism and the rod. Readjust so only slight pressure is needed to operate the blade engaging control. See assembly instructions Step 9.
3. **FILL SUMP WITH OIL** using a high quality detergent oil classified "For Service SC, SD, SE or MS". Nothing should be added to the recommended oil.

SUMMER
(Above 40° F.)
Use SAE 30
If not available,
Use SAE 10W-30
or
SAE 10W-40

WINTER
(Under 40° F.)
Use SAE 5W-20 or SAE 5W-30
If not available,
Use SAE 10W or SAE 10W-30

DIRECTIONS: Place the engine level. Remove oil filler plug. **FILL THE OIL SUMP TO POINT OF OVERFLOW.** Pour slowly. Capacity 1¾ pints.

4. **FILL FUEL TANK** using clean, fresh, lead-free or leaded "regular" grade automotive gasoline. Fill tank completely!
DO NOT MIX OIL WITH GASOLINE.
5. Move control handle to "OFF" position.
6. Move throttle control lever to "CHOKE" position.
7. Crank engine. Move throttle control to "FAST" position as soon as engine fires. Use choke as needed to keep engine running during warm up period.
8. Put blade into motion by moving blade control handle to "ON" position.
To engage the blade with the engine running...
 - a. Move the throttle control lever to "FAST" position.
 - b. Engage the blade engagement handle **SLOWLY**.
 - c. Adjust engine speed.
9. A brief break-in period is essential to insure maximum engine and mower life. This consists of running the engine at half speed for a period of time required to use one tank of gasoline. It is also recommended to change crankcase oil after the first five hours of operation or as operating conditions dictate. Always check oil before operating the mower. **BE SURE CRANKCASE IS FULL.**
10. Proper lubrication must be maintained at all times.
11. Appropriate clothing should be worn when cutting brush or heavy weeds. Safety shoes and safety glasses are highly recommended.
12. Be sure that lawn is clear of stones, sticks, wire, or other objects which could damage lawn mower or engine. For best results and to insure more even grass distribution, do not mow when lawn is excessively wet.



IMPORTANT

After striking a foreign object, stop the engine. Remove wire from spark plug, thoroughly inspect the mower for any damage, and repair the damage before restarting and operating the mower.

TO STOP ENGINE

The engine is stopped by moving the throttle control lever to "STOP" position.

ADJUSTMENTS



CAUTION

Do not at any time make any adjustment to lawn mower without first stopping engine and disconnecting spark plug wire.

CONTROL ROD ADJUSTMENT

Control rod adjustments are made as shown under assembly instructions Step 9.

HANDLE ADJUSTMENT

Handles may be adjusted by changing the position of the lower support mounting holes. When this change is made, it may also be necessary to check the adjustment of control rod. See Step 9 under assembly instructions.

CUTTING HEIGHT

Cutting height adjustment is made by removing and moving axle bolts to the desired positions. All axle bolts must be mounted in the same relative position to the deck. When wheels are mounted to the deck, **the Belleville washers must be assembled with the cupped side towards the deck.** This is necessary to prevent the axle bolts from loosening.

THROTTLE

If adjustment becomes necessary, the throttle control wire assembly can be reset as follows:

1. Loosen, but do not remove, screw securing throttle control wire assembly at engine. See figure 3.
2. Move throttle control lever on handle to "CHOKE" position.
3. Move lever, to which control wire is fastened at engine, to full open position. Retighten screw to secure throttle control wire assembly.

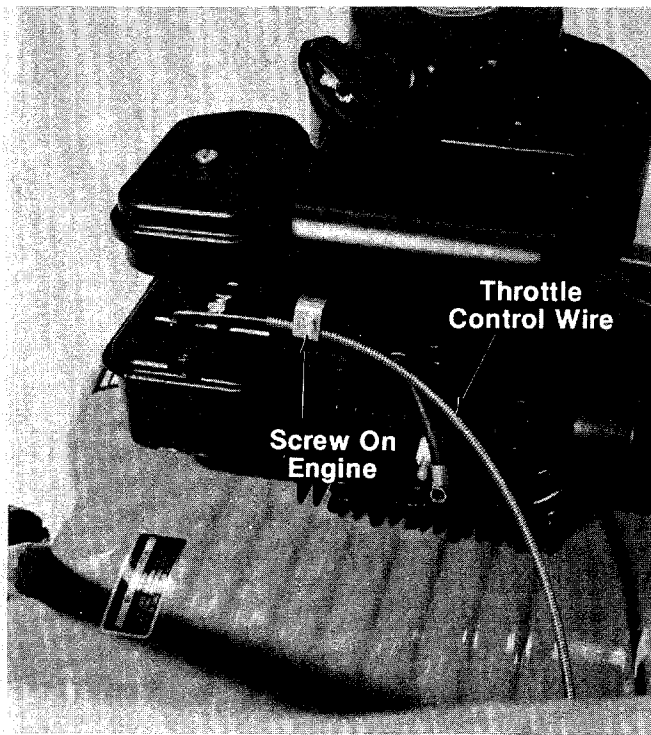


FIGURE 3.



WARNING

If any adjustments are made to the engine while the engine is running (e.g. carburetor), disengage all clutches and blades. Keep clear of all moving parts and be careful of heated surfaces and muffler.

CARBURETOR ADJUSTMENTS (See figure 4.)

Minor carburetor adjustment may be required to compensate for differences in fuel, temperature, altitude and load.

Initial Adjustment:

Turn needle valve clockwise to close it. Then open 2 turns. This initial adjustment will permit the engine to be started and warmed up before making final adjustment.

Final Adjustment:

With engine running at normal operating speed (approximately 3000 RPM without load), turn needle valve clockwise until engine starts to lose speed (lean mixture). Then slowly turn needle valve counterclockwise past the point of smoothest operation, until engine just begins to run unevenly. This mixture will give best performance under load.

To check adjustment, move engine control from SLOW to FAST speed. If engine tends to stall or die out, it usually indicates that the mixture is slightly lean. It may be necessary to open the needle valve slightly to provide a richer mixture. This richer mixture may cause a slight unevenness in idling.

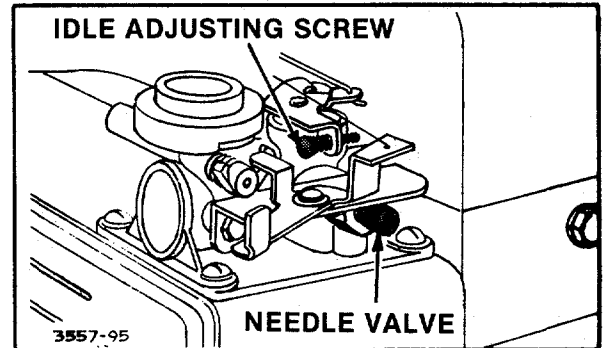


FIGURE 4.

LUBRICATION



IMPORTANT

Always stop engine and disconnect spark plug wire before cleaning, lubricating or doing any kind of work on lawn mower.

Wheels—Unit is provided with ball bearing wheels. Lubricate at least once a season with light oil.

Protective Shield—The pivot points on the protective shield should be lubricated periodically with light oil to prevent any rust or binding.

Chute Deflector—The torsion spring and pivot point should be lubricated periodically with light oil to prevent any rust or binding. Deflector must work freely.

Engine—Follow engine manual for lubrication instructions. Check oil level before each use.

Throttle—Periodically lubricate throttle control lever and throttle wire assembly with a few drops of light oil (SAE No. 10 or 20) for ease of operation.

Friction point between idler bracket assembly (Ref. No. 18 on page 16) and deck should be greased once each season with a multi-purpose grease.

Blade Spindle Assembly—The blade spindle assembly is equipped with a grease fitting. Use grass discharge chute for access to the fitting located under the deck. Use multi-purpose grease. Lubricate PRIOR to initial use and every 25 hours thereafter.

MAINTENANCE

CUTTING BLADE

The blade may easily be removed for grinding or replacement as follows:

1. Remove bolt and lock washer holding blade and blade adapter to blade spindle.
2. Remove blade and blade adapter from blade spindle.
3. Remove two bolts, lock washers and nuts holding blade to blade adapter (if necessary).

When sharpening blade, follow the original angle of grind as a guide. It is extremely important that each cutting edge receives an equal amount of grinding to prevent an unbalanced blade. An unbalanced blade will cause excessive vibration when rotating at high speeds and may cause damage to the mower.

To insure safe operation of your unit, ALL nuts and bolts must be checked periodically for correct tightness.

DECK

The underside of mower deck should be cleaned after each period of use as grass clippings, leaves, dirt and other matter will accumulate. This accumulation of grass clippings, etc., is undesirable as it will invite rust and corrosion and may cause an uneven discharge of grass clippings at the next cutting.

The deck may be cleaned by tilting the mower forward or on its side and scraping clean with a suitable tool or by washing with a stream of water from a garden hose.



CAUTION

Do not direct the stream of water at a hot engine as damage to the engine may result.

ENGINE OIL

Check Oil Level before starting engine and after every 5 hours of operation or each period of use.

ADD oil as necessary to keep level FULL TO POINT OF OVERFLOWING.

Before removing oil fill plug, clean area around plug to prevent dirt from entering oil fill hole.

Engine should be in a level position when checking oil.

Change Oil after first 5 hours of operation. Thereafter change every 25 hours. Change oil while engine is warm. Oil may be drained from oil fill hole by tipping unit on its side. Oil capacity 1 3/4 pints. See figure 5.

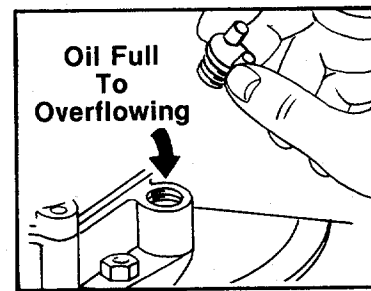


FIGURE 5.
AIR CLEANER

Clean Air Cleaner and re-oil element every 25 hours under normal conditions. Clean every few hours under extremely dusty conditions. Poor engine performance and flooding usually indicates that the air cleaner should be serviced. See figure 6.

1. Remove screw.
2. Remove air cleaner carefully to prevent dirt from entering carburetor.
3. Take air cleaner apart and clean.
 - a. WASH foam element in kerosene or a liquid detergent and water to remove dirt.
 - b. DRY foam completely by wrapping and squeezing in a cloth.
 - c. SOAK foam with engine oil. Squeeze to distribute and remove excess oil.
4. Reassemble parts and fasten to carburetor.

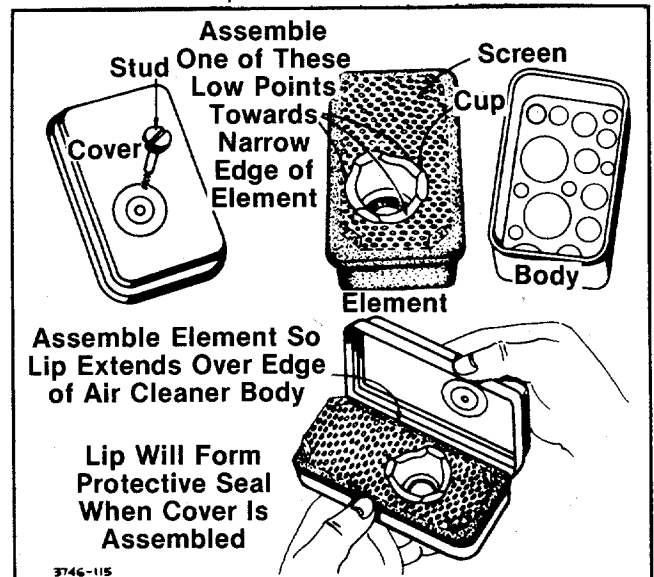


FIGURE 6.

SPARK PLUG

The spark plug gap should be cleaned (see figure 7) and reset to a 0.030-inch clearance once a season (see figure 8). Spark plug replacement is recommended at the start of each mowing season; check engine parts list for correct plug type.

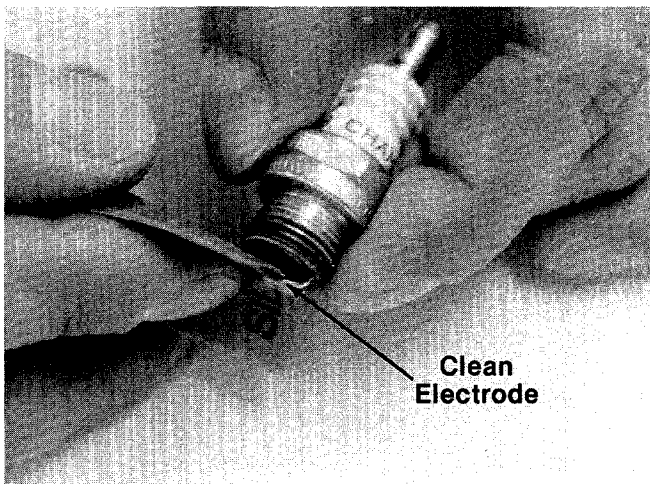


FIGURE 7.

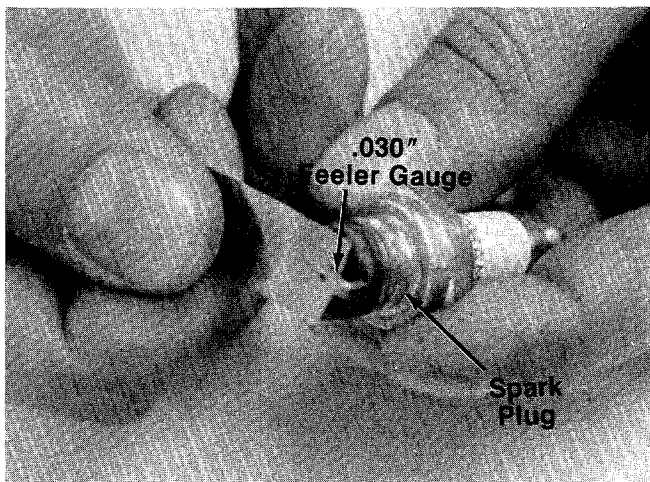


FIGURE 8.



Whenever the spark plug is removed for cleaning, it is advisable to replace the spark plug gasket with a new gasket.

BELT REPLACEMENT

Belt replacement may be made as follows:

1. Remove blade spindle cover.
2. Remove front belt guard.
3. Remove blade tension spring.
4. Loosen belt on bracket of idler bearing assembly.
5. Remove bracket lever assembly.
6. Remove damaged or worn belt.
7. Place new belt on engine pulley. Do not bend belt guard pins. Belt should be inside of pins.

8. Work belt to front and mount on blade spindle pulley. Replace front belt guard.
9. Replace brake lever assembly.
10. Slip belt on idler pulley between pulley and belt bracket.
11. Replace blade tension spring.
12. Move blade lock out handle to "ON" position.
13. Position belt bracket on idler pulley to clear the tightened belt. Secure belt bracket in position. See drawing on page 10.
14. Replace blade spindle cover.



To insure safe operation of your unit, ALL nuts and bolts must be checked periodically for correct tightness.

USING YOUR ROTARY MOWER

For the best results do not cut wet grass because it tends to stick to the underside of the mower, thus preventing proper discharge of grass clippings. If wet grass must be cut, reduce walking speed to help distribute the clippings more effectively.

New grass should be treated as wet grass, otherwise a normal walking speed is about the right pace for efficient mowing.

The best mowing pattern is one that allows the clippings to discharge towards the uncut part of the lawn. This permits recutting of the clippings to further pulverize them. When cutting high weeds, discharge towards cut portion, then recut at right angles to first direction.

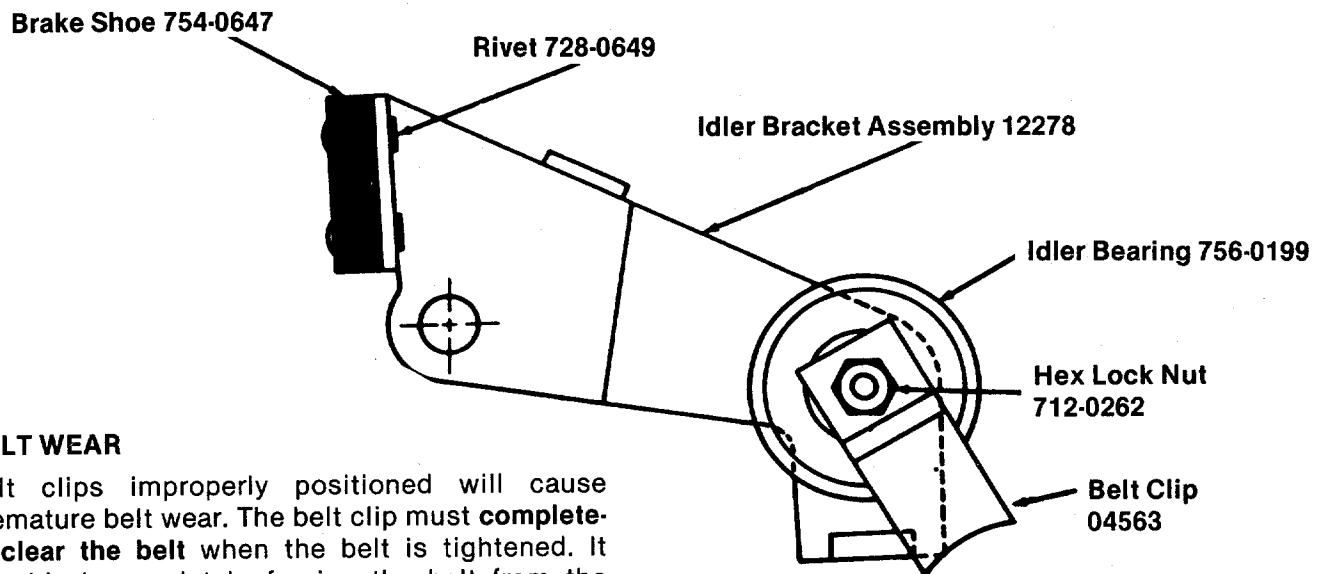
Lawn should be cut in the fall as long as there is growth.

OFF-SEASON STORAGE

The following steps should be taken to prepare lawn mower for storage.

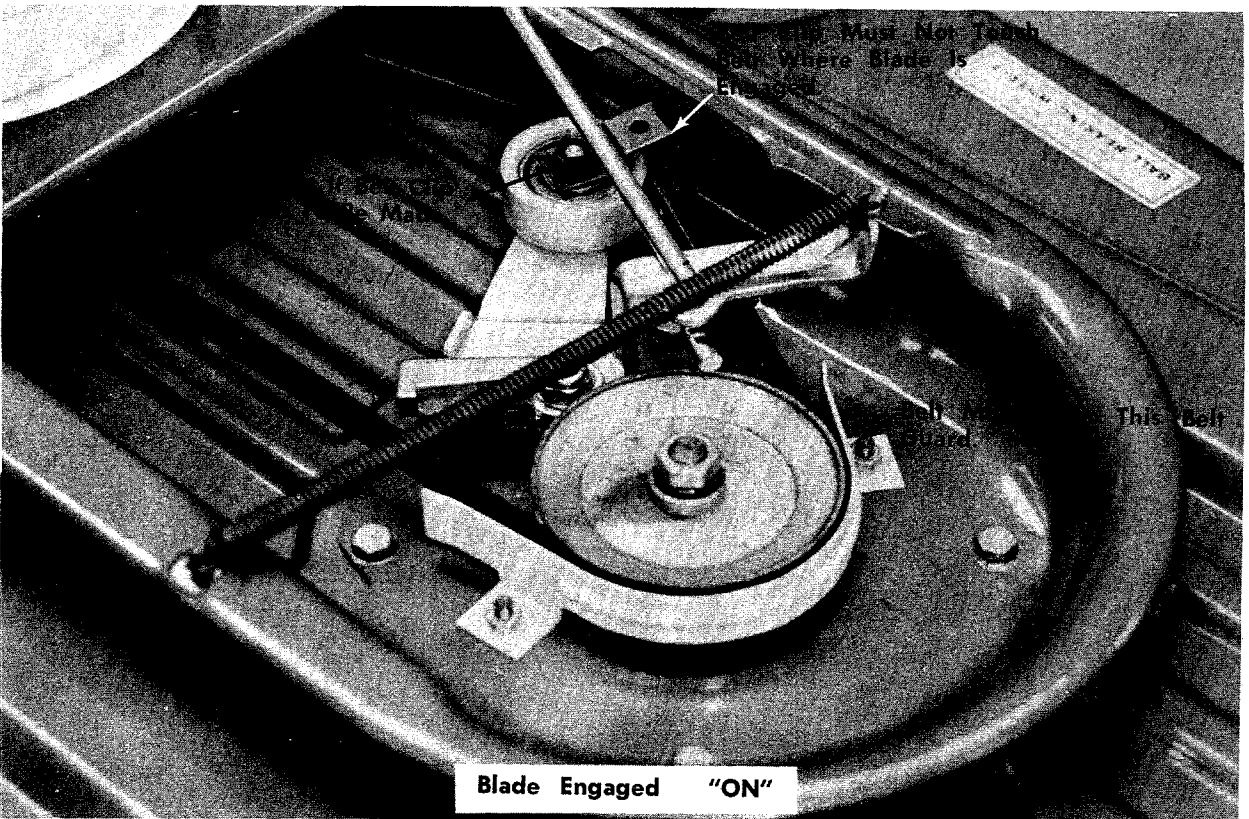
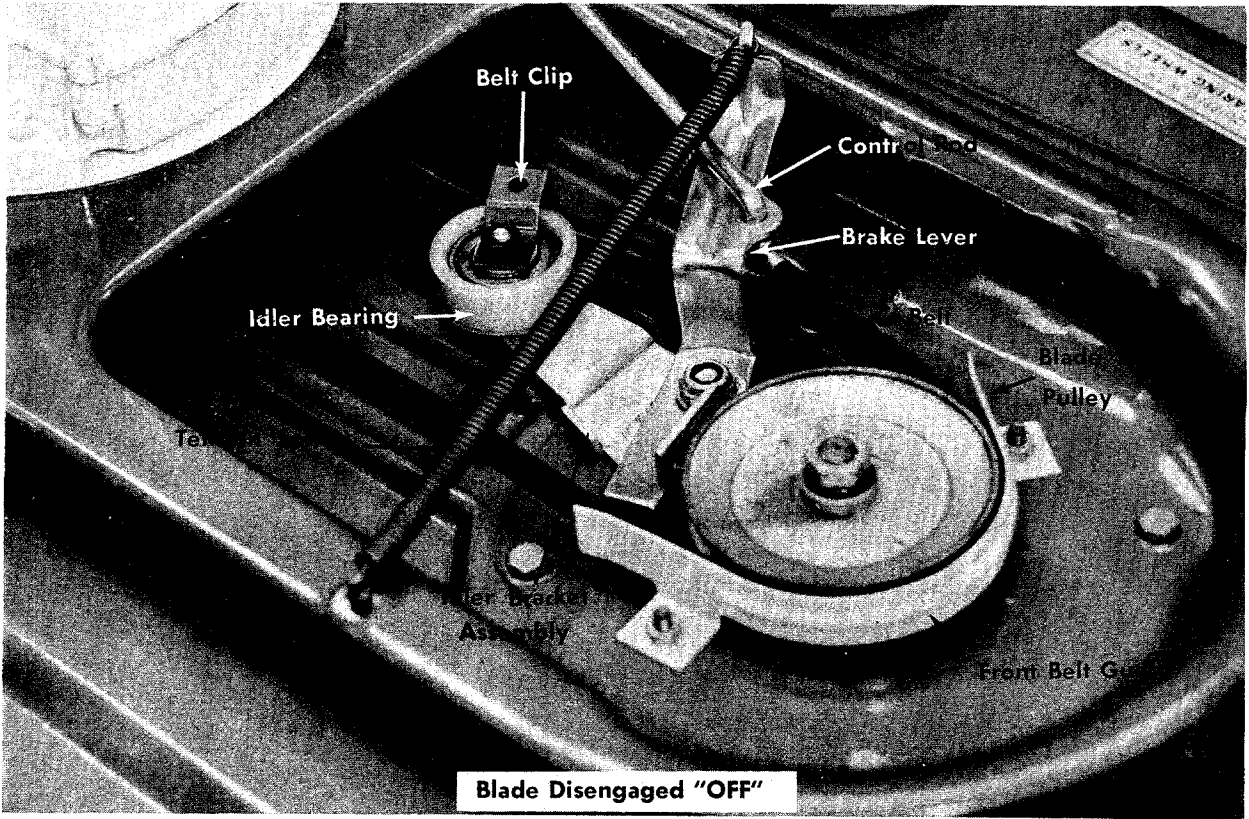
1. Clean and lubricate mower thoroughly as described in the lubrication instructions.
2. Refer to Engine Manual for correct engine storage instructions.
3. Coat mower's cutting blade with chassis grease to prevent rusting.
4. Place blocks under deck to raise tires clear of floor.
5. Store mower in a dry, clean area.

BLADE IDLER BRACKET ASSEMBLY DETAIL



BELT WEAR

Belt clips improperly positioned will cause premature belt wear. The belt clip must **completely clear the belt** when the belt is tightened. It should also assist in freeing the belt from the blade spindle pulley when the belt is loose. This may be checked by removing the blade spindle cover.





NOTE

The manufacturer **DOES NOT** recommend the use of any accessory on this Rotary Mower other than those manufactured by the mower manufacturer.

GRASS CATCHER Model No. 190-003A is available as optional equipment for the mowers shown in this manual.



WARNING

1. The mower should not be operated without the entire grass catcher or chute deflector in place.
2. The mower should not be operated without the protective shield on the rear of the deck in place.



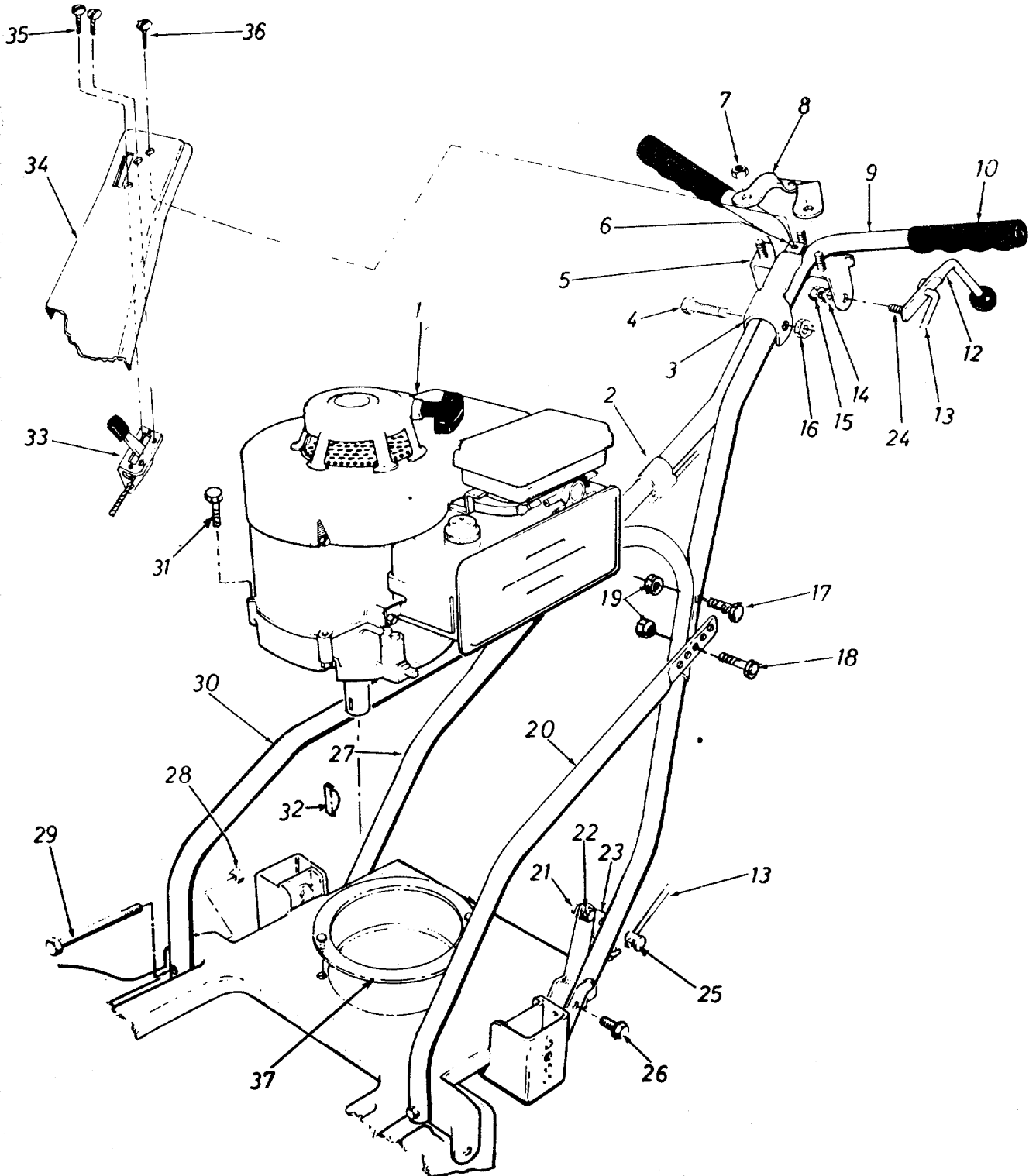
NOTE:

Under normal usage bag material is subject to wear and should be checked periodically. Be sure any replacement bag complies with the mower manufacturer's recommendations.

For replacement bags, use only factory authorized replacement bag No. 764-0176.

110-530A

IF YOU WRITE TO US ABOUT THIS ARTICLE
OR IF YOU ORDER REPLACEMENT PARTS AL-
WAYS MENTION THIS MODEL & SERIAL NO
MODEL



PARTS LIST FOR MODEL 110-530A

| REF. NO. | PART NO. | COLOR CODE | DESCRIPTION | NEW PART |
|----------|------------|------------|--|----------|
| 1 | — | | Engine | |
| 2 | 726-0188 | | Cable Tie | |
| 3 | 07861 | | Clamp Bracket | |
| 4 | 710-0136 | | Hex Bolt 1/4-20 x 1.75" Lg.* | |
| 5 | 08376 | | Lockout Brkt. Ass'y. | |
| 6 | 712-0526 | | Speed Nut #10-24 | |
| 7 | 712-0107 | | Hex Center L-Nut 1/4-20 Thd. | |
| 8 | 08378 | | Clamp Bracket | |
| 9 | 09354 | | Upper Handle (2-Req'd) | |
| 10 | 720-0157 | | Grip | |
| 12 | 08373 | | Lockout Lever Ass'y. with Plastic Ball | |
| 13 | 711-0180 | | Control Rod | |
| 14 | 736-0108 | | FI-Wash. .510 I.D. x .750 O.D. | |
| 15 | 712-0117 | | Hex Cent. L-Nut 1/4-28 Thd. | |
| 16 | 712-0107 | | Hex Center L-Nut 1/4-20 Thd. | |
| 17 | 710-0606 | | Hex Bolt 1/4-20 x 1.50" Lg.* | |
| 18 | 710-0606 | | Hex Bolt 1/4-20 x 1.50" Lg.* | |
| 19 | 712-0107 | | Hex Center L-Nut 1/4-20 Thd. | |
| 20 | 08327 | | Lower Handle Support—L.H. | |
| 21 | 712-0181 | | Hex Top L-Nut 3/8-16 Thd. | |
| 22 | 738-0234 | | Shld. Bolt .500" Dia. x .295 | |
| 23 | 09372 | | Pivot Bracket | |
| 24 | 710-0412 | | Hex Bolt 1/4-28 x .75" Lg. Gr. 5 | |
| 25 | 711-0179 | | Adjustable Ferrule | |
| 26 | 710-0209 | | Hex Sems Bolt 3/8-16 x .62" Lg. | |
| 27 | 09362 | | Lower Handle | |
| 28 | 712-0107 | | Hex Center L-Nut 1/4-20 Thd. | |
| 29 | 710-0102 | | Hex Bolt 1/4-20 x 2.50" Lg.* | |
| 30 | 08328 | | Lower Handle Support—R.H. | |
| 31 | 710-0158 | | Hex Bolt 5/16-24 x 1.25" | |
| 32 | 714-0365 | | #6 Hi-Pro Key 5/32 x 5/8 Dia. | |
| 33 | 746-0171 | | Throttle | |
| 34 | 11815 —462 | | Control Panel | |
| 35 | 710-0227 | | Hex Wash. Hd. AB-Tapp Scr. #8 x .38" Lg. | |
| 36 | 710-0192 | | Truss Mach. Scr. #10-24 x .38 | |
| 37 | 08325 —462 | | Belt Trap Ass'y. | |

*For faster service obtain standard nuts, bolts and washers locally. If these items cannot be obtained locally, order by part number and size as shown on parts list.

(462—Red Flake)

When ordering parts, if color or finish is important use the appropriate color code shown above (e.g. Red Flake Finish—11815 (462).)

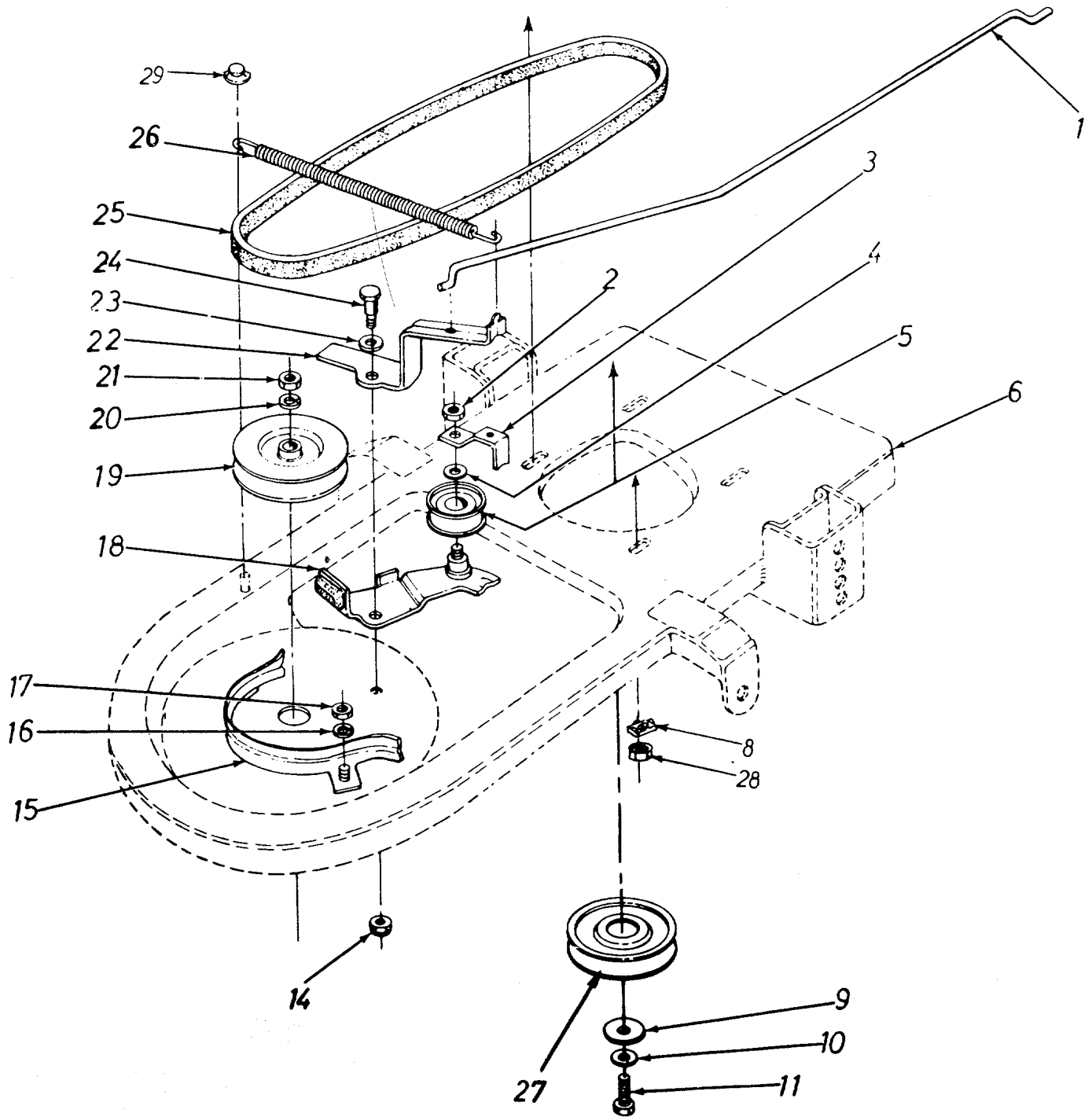
NOTE: The engine is not under warranty by the mower manufacturer . . . If repairs or service is needed on the engine, please contact your nearest authorized engine service outlet. Check the "Yellow Pages" of your telephone book under "Engines—Gasoline."



This instruction manual covers various models and all specifications shown do not necessarily apply to your model. Specifications subject to change without notice or obligation.

110-530A

IF YOU WRITE TO US ABOUT THIS ARTICLE
OR IF YOU ORDER REPLACEMENT PARTS AL
WAYS MENTION THIS MODEL & SERIAL NO
MODEL



PARTS LIST FOR MODEL 110-530A

| REF. NO. | PART NO. | COLOR CODE | DESCRIPTION | NEW PART |
|----------|----------|------------|--|----------|
| 1 | 09373 | | Control Rod | |
| 2 | 712-0262 | | Hex Ins. Jam Nut 3/8-24 Thd. | |
| 3 | 04563 | | Belt Clip | |
| 4 | 736-0300 | | Fl-Wash. | |
| 5 | 756-0199 | | Flat Idler with Flange | |
| 6 | 12581 | —462 | Frame Ass'y. | |
| 8 | 736-0170 | | Special L-Wash. 5/16" Scr. | |
| 9 | 07386 | | Fl-Wash. .406" I.D. x 1.25" O.D. x .164 | |
| 10 | 736-0169 | | L-Wash. 3/8" Scr.* | |
| 11 | 710-0152 | | Hex Scr. 3/8-24 x 1.00" Lg. H.T. | |
| 14 | 712-0181 | | Hex Top L-Nut 3/8-16 Thd. | |
| 15 | 08324 | —462 | Belt Guard | |
| 16 | 736-0329 | | L-Wash. 1/4" Scr.* | |
| 17 | 712-0287 | | Hex Nut 1/4-20 Thd.* | |
| 18 | 12278 | | Idler Brkt. Ass'y. w/Brake Shoe | |
| 19 | 09925 | | Sheave Ass'y.—4" Dia. (Blade Spindle) | |
| 20 | 736-0921 | | L-Wash. 1/2" Scr.* | |
| 21 | 712-0200 | | Hex Ins. Nut 1/2-20 Thd. | |
| 22 | 09371 | | Brake Lever | |
| 23 | 736-0463 | | Fl-Wash. .296 I.D. x .62" O.D. x .059 | |
| 24 | 738-0234 | | Shoulder Bolt .500" Dia. x .295 | |
| 25 | 754-0109 | | "V"-Belt 1/2" x 43" Lg. | |
| 26 | 732-0158 | | Blade Tension Spring | |
| 27 | 756-0206 | | Engine Pulley 4.00" O.D. | |
| 28 | 712-0123 | | Hex Nut 5/16-24 Thd.* | |
| 29 | 726-0111 | | Push Cap | |

*For faster service obtain standard nuts, bolts and washers locally. If these items cannot be obtained locally, order by part number and size as shown on parts list.

(462—Red Flake)

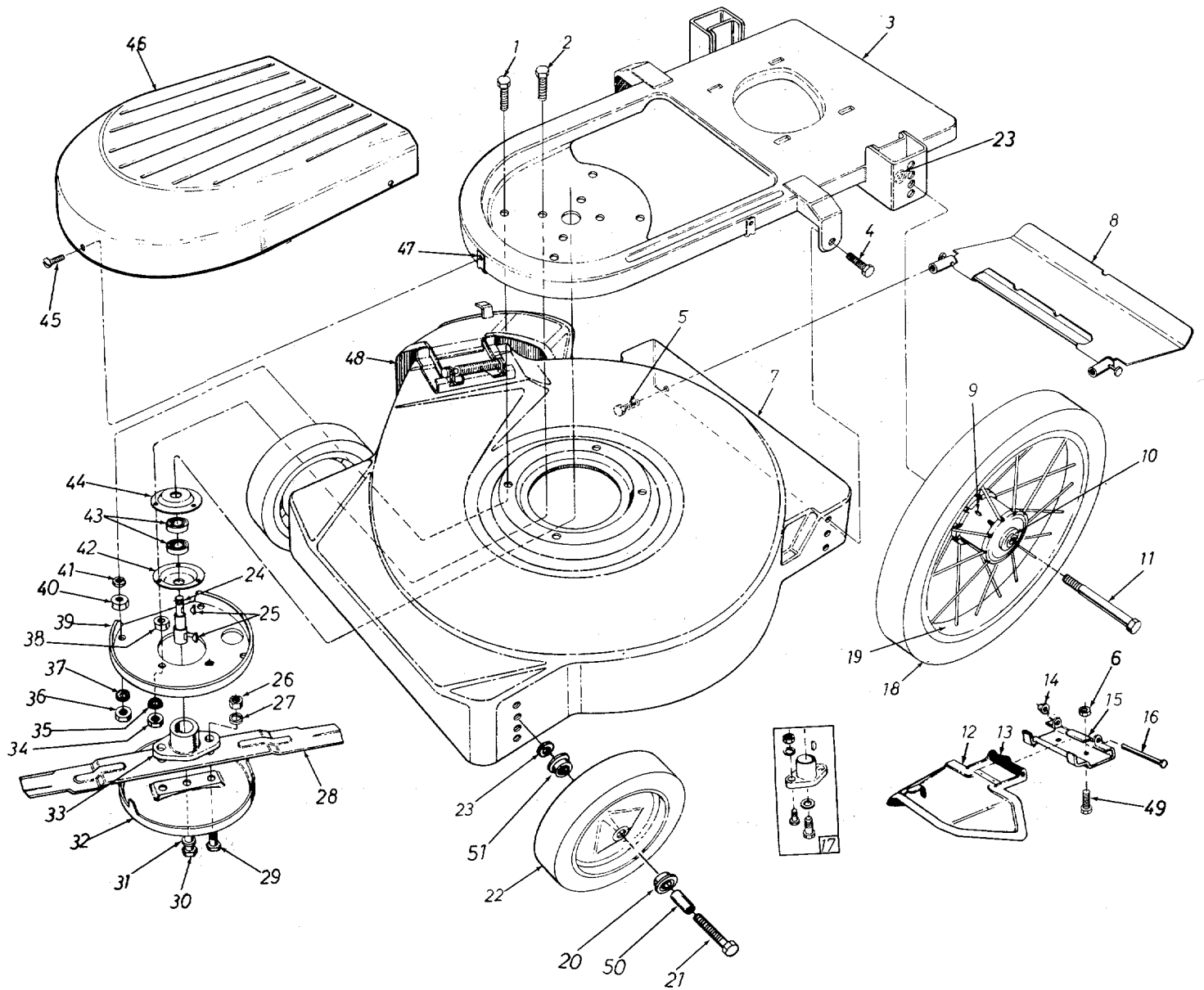
When ordering parts, if color or finish is important use the appropriate color code shown above (e.g. Red Flake Finish—11815 (462).)

The engine is not under warranty by the mower manufacturer. If repairs or service is needed on the engine, please contact your nearest authorized engine service outlet. Check the "Yellow Pages" of your telephone book under "Engines — Gasoline."



110-530A

IF YOU WRITE TO US ABOUT THIS ARTICLE
OR IF YOU ORDER REPLACEMENT PARTS AL-
WAYS MENTION THIS MODEL & SERIAL NO
MODEL



PARTS LIST FOR MODEL 110-530A

| REF. NO. | PART NO. | COLOR CODE | DESCRIPTION | NEW PART | REF. NO. | PART NO. | COLOR CODE | DESCRIPTION | NEW PART |
|----------|----------|------------|-----------------------------------|----------|----------|----------|------------|--------------------------------------|----------|
| 1 | 710-0116 | | Hex Bolt 5/16-18 x 2.00" Lg.* | | 25 | 714-0365 | | #6 Hi-Pro Key 5/32 x 5/8" Dia. | |
| 2 | 710-0158 | | Hex Bolt 5/16-24 x 1.25" Lg.* | | 26 | 712-0123 | | Hex Nut 5/16-18 Thd.* | |
| 3 | 12581 | —462 | Frame Ass'y. | | 27 | 736-0119 | | L-Wash. 5/16" Scr.* | |
| 4 | 710-0209 | | Hex Sems Bolt 3/8-16 x .62" Lg.* | | 28 | 742-0125 | | 22" Blade | |
| 5 | 710-0567 | | Hex Sems Bolt 1/4-28 x 5/8" Lg. | | 29 | 710-0117 | | Hex Bolt 5/16-24 x 1.00" H.T. | |
| | | | | | 30 | 710-0459 | | Hex Bolt 3/8-24 x 1.50" Lg. H.T. | |
| 6 | 712-0271 | | Hex Sems Nut 1/4-20 Thd. | | 31 | 736-0217 | | L-Wash. 3/8" Scr. H.D. | |
| 7 | 12422 | —462 | Deck Ass'y.—22 in. | | 32 | 07919 | | Scalp Plate | |
| 8 | 11197 | | Protective Shield Ass'y.—Comp. | | 33 | 10769 | | Blade Adapter Kit | |
| 9 | 718-0132 | | Oil Cap | | 34 | 712-0123 | | Hex Nut 5/16-24 Thd.* | |
| 10 | 741-0113 | | Ball Brg. .504 I.D. x 1.38 Dia. | | 35 | 736-0119 | | L-Wash. 5/16" Scr.* | |
| 11 | 738-0114 | | Shoulder Bolt .498" Dia. x 4.755" | | 36 | 712-0267 | | Hex Nut 5/16-18 Thd.* | |
| | | | | | 37 | 736-0119 | | L-Wash. 5/16" Scr.* | |
| 12 | 11679 | —462 | Chute Deflector Ass'y. | | 38 | 712-0123 | | Hex Nut 5/16-18 Thd.* | |
| 13 | 732-0253 | | Torsion Spring | | 39 | 12281 | | Blade Reinforcement Plate | |
| 14 | 726-0106 | | Push Cap | | 40 | 712-0267 | | Hex Nut 5/16-18 Thd.* | |
| 15 | 11130 | —462 | Adapter Plate | | 41 | 736-0119 | | L-Wash. 5/16" Scr.* | |
| 16 | 711-0555 | | Pivot Pin | | 42 | 08253 | | Bearing Housing | |
| 17 | 10769 | | Blade Adapter Kit | | 43 | 741-0919 | | Ball Bearing | |
| 18 | 734-0439 | | 16" Rear Wheel Ass'y.—Comp. | | 44 | 08253 | | Bearing Housing | |
| | | | | | 45 | 710-0192 | | Truss Hd. Mach. Scr. 10-24 x .38 Lg. | |
| 19 | 734-0180 | | 16" Rear Wheel—Less Tire | | 46 | 08295 | —452 | Blade Spindle Cover | |
| | 734-0392 | | Semi Pneumatic Tire 16 x 1.75 | | 47 | 712-0526 | | Speed Nut #10-24 | |
| | | | | | 48 | 11679 | —462 | Chute Deflector Ass'y.—Comp. | |
| 20 | 741-0267 | | Ball Brg. 3/8" I.D. | | 49 | 710-0289 | | Hex Bolt 1/4-20 x .50" Lg.* | |
| 21 | 710-0427 | | Hex Bolt 3/8-16 x 2.00" Lg.* | | 50 | 750-0434 | | Spacer | |
| 22 | 734-0643 | | Front Wheel Ass'y. Comp. | | 51 | 741-0484 | | Ball Bearing 1/2" I.D. | |
| 23 | 736-0105 | | Belleville Washer | | | | | | |
| 24 | 738-0251 | | Blade Spindle | | | | | | |

*For faster service obtain standard nuts, bolts and washers locally. If these items cannot be obtained locally, order by part number and size as shown on parts list.

(462—Red Flake)

When ordering parts, if color or finish is important, use the appropriate color code shown at left. (e.g. Red Flake Finish—11815 (462).)

The engine is not under warranty by the mower manufacturer. If repairs or service is needed on the engine, please contact your nearest authorized engine service outlet. Check the "Yellow Pages" of your telephone book under "Engines — Gasoline."



PARTS INFORMATION

POWER EQUIPMENT PARTS AND SERVICE

Parts and service for all MTD manufactured power equipment are available through the authorized service firms listed below. All orders should specify the model number of your unit, parts number, description of parts and the quantity of each part required.

| | | |
|-------------------------------------|------------------------------|-------|
| ALABAMA | BIRMINGHAM | |
| Auto Electric & Carburetor Co. | 2625 4th Ave. S. | 35233 |
| ARKANSAS | FORT SMITH | |
| Mity Mite Motors, Inc. | 4515 South 16th Street | 72901 |
| | NORTH LITTLE ROCK | |
| Sutton's Lawn Mower Shop | Rt. 4 Box 368. | 72117 |
| CALIFORNIA | PORTERVILLE | |
| Billious | 75 North D Street | 93257 |
| | SAN BERNARDINO | |
| Lawn Mower Supply Co | 25608 E. Baseline | 92410 |
| | SAN FRANCISCO | |
| J.W. Jewett Co. | 981 Folsom St. | 94107 |
| COLORADO | DENVER | |
| South Denver Lawn Equip. | 527 West Evans | 80223 |
| FLORIDA | JACKSONVILLE | |
| Radco Distributors | 2403 Market St. | 32206 |
| | OPA LOCKA | |
| Small Eng. Dist. | 2351 N.W. 147th St. | 33054 |
| GEORGIA | EAST POINT | |
| East Point Cycle & Key. | 2834 Church St. | 30344 |
| ILLINOIS | LYONS | |
| Keen Edge Co. | 8615 Ogden Ave. | 60534 |
| INDIANA | ELKHART | |
| Parts & Sales Inc. | 2101 Industrial Pkwy. | 46514 |
| IOWA | DUBUQUE | |
| Power Lawn & Garden Equip. | 2551 J.F. Kennedy. | 52001 |
| LOUISIANA | NEW ORLEANS | |
| Suhren Engine Co. | 8330 Earhart Blvd. | 70118 |
| MARYLAND | TAKOMA PARK | |
| Center Supply Co. | 6867 New Hampshire Ave. | 20012 |
| MASSACHUSETTS | SPRINGFIELD | |
| Morton B. Collins Co. | 300 Birnie Ave. | 01107 |
| MICHIGAN | LANSING | |
| Lorenz Service Co. | 2500 S. Pennsylvania. | 48910 |
| | MOUNT CLEMENS | |
| Power Equipment Dist. | 36463 South Gratiot .. | 48043 |
| MINNESOTA | HOPKINS | |
| Hance Distributing Inc. | 420 Excelsior Ave. W. | 55343 |
| | ST. PAUL | |
| Power Tools Inc. | 3771 Sibley Memorial Hwy. .. | 55122 |
| MISSISSIPPI | BILOXI | |
| Biloxi Sales & Service, Inc. | 506 Caillavet St. | 39533 |
| MISSOURI | KANSAS CITY | |
| Automotive Equip. Service | 3117 Holmes St. | 64109 |
| | ST. JOSEPH | |
| Ross-Frazier Supply Co. | 8th and Monteray | 64503 |
| | ST. LOUIS | |
| Henzler, Inc. | 2015 Lemay Ferry Rd. | 63125 |
| NEW JERSEY | BELLMAWR | |
| Lawnmower Parts Inc. | 717 Creek Rd. | 08030 |
| | RUTHERFORD | |
| Feld Distributor | 28 Glen Rd. | 07070 |
| NEW YORK | CARTHAGE | |
| Gamble Dist., Inc. | West End Ave. | 13619 |

BRIGGS AND STRATTON, TECUMSEH AND PEERLESS PARTS AND SERVICE

Briggs & Stratton, Tecumseh and Peerless parts and service should be handled by your nearest authorized engine service firm. Check the yellow pages of your telephone directory under the listing **Engines—Gasoline**, Briggs & Stratton or Tecumseh Lauson.

| | | |
|-------------------------------------|----------------------------|-------|
| | SYRACUSE | |
| GTP Leisure Products Inc. | 420 Marcellus St. | 13204 |
| NORTH CAROLINA | GOLDSBORO | |
| Smith Hardware Co. | 515 N. George St. | 27530 |
| | GREENSBORO | |
| Dixie Sales Company | 327 Battleground Ave. | 27402 |
| OHIO | CARROLL | |
| Stebe's Mid-State Mower Supply .. | Box 366-71 High St. ... | 43112 |
| | CLEVELAND | |
| Bleckrie, Inc. | 7900 Lorain Ave. | 44102 |
| | WADSWORTH | |
| National Central. | 687 Seville Rd. | 44281 |
| | YOUNGSTOWN | |
| Burton Supply Co. | 1301 Logan Ave. Box 929 .. | 44501 |
| OKLAHOMA | ADA | |
| Ada Auto Supply | 301 E. 12th St. | 74820 |
| | MUSKOGEE | |
| Victory Motors, Inc. | 605 S. Cherokee. | 74401 |
| | OKLAHOMA CITY | |
| Forest Sales Inc. | 1039 NW 63rd St. | 73116 |
| OREGON | PORTLAND | |
| Kenton Supply Co. | 8216 N. Denver Ave. ... | 97217 |
| PENNSYLVANIA | CHESTER | |
| Stull Equipment Corp. | 742 W. Front St. | 19013 |
| | HARRISBURG | |
| EECO Inc. | 4021 N. 6th St. | 17110 |
| | PHILADELPHIA | |
| Thompson Rubber Co. | 5222-24 N. Fifth St. ... | 19120 |
| | PITTSBURGH | |
| Bluemont Co. | 11125 Frankstown Rd. | 15235 |
| TENNESSEE | KNOXVILLE | |
| Master Repair Service. | 2000 Western Ave. ... | 37921 |
| | MEMPHIS | |
| Memphis Cycle & Supply Co. | 421 Monroe Ave. | 38103 |
| American Sales & Service, Inc. | 1922 Lynnbrook. | 38116 |
| TEXAS | DALLAS | |
| Marr Brothers, Inc. | 423 E. Jefferson. | 75203 |
| | FORT WORTH | |
| Woodson Sales Corp. | 1702 N. Sylvania. | 76111 |
| | HOUSTON | |
| Bullard Supply Co. | 2409 Commerce St. | 77003 |
| | SAN ANTONIO | |
| Catto & Putty, Inc. | 414 Live Oak | 78298 |
| UTAH | SALT LAKE CITY | |
| A-1 Engine & Mower Co. | 437 E. 9th St. | 84111 |
| VERMONT | BURLINGTON | |
| Vermont Hdwe. Co. Inc. | 180 Flynn Ave. | 05401 |
| VIRGINIA | RICHMOND | |
| RBI Corp. | 963 Myers St. | 23260 |
| WASHINGTON | SEATTLE | |
| Bailey's Inc. | 1414 14th Ave. | 98102 |
| WEST VIRGINIA | CHARLESTON | |
| Young's, Inc. | 233 Virginia St., E. | 25301 |
| WISCONSIN | APPLETON | |
| Automotive Supply Co. | 123 S. Linwood Ave. ... | 54911 |

WARRANTY PARTS AND SERVICE POLICY

The purpose of warranty is to protect the customer from defects in workmanship and materials, defects which are NOT detected at the time of manufacture. It does not provide for the unlimited and unrestricted replacement of parts. Use and maintenance are the responsibility of the customer. The manufacturer cannot assume responsibility for conditions which it has no control. Simply put, if it's the manufacturer's fault, it's the manufacturer's responsibility; if it's the customer's fault, it's the customer's responsibility.

CLAIMS AGAINST THE MANUFACTURER'S WARRANTY INCLUDES

1. Replacement of Missing Parts on new equipment.
2. Replacement of Defective Parts within the warranty period.
3. Repair of Defects within the warranty period.

All claims MUST be substantiated with the following information:

1. Model Number of unit involved.
2. Date unit was purchased or first put into service.
3. Date of failure.
4. Nature of failure.